

KFP-AF1-FB-xx

Addressable Fire Panel with User Interface with Fire Brigade Controls - 1 Loop

Overview

The KFP-A Series life safety control systems are bringing the speed and functionality of high-end intelligent processing to small to mid-sized addressable applications. They feature an attractive contemporary design that fits with any decor. Special plastics allows for painting in any color and the easy to remove electronics will support in this matter. The gently curved door with the intuitive dark inset user interface and EN54 compliant graphical LCD offers a distinctive flair. The main controls are clearly, but discreetly highlighted with the focus on the central located Jog Dial.

With the addressable detection and a full line of easily configured option cards and modules, USB and Ethernet® connectivity, these quick-to-configure systems offer versatility that benefits building owners and life safety system installers alike.



The Panel

The fire panels supplied in local language, with user interface with fire routing controls, with 1 loop that supports up to 250 devices in 64 zones, have standard 2 supervised sounder/fire-routing outputs, which can be used as freely programmable outputs as well. In addition 2 conventional relay outputs and 2 supervised outputs, working in pair and dedicated to common fire and fault conditions, as well as 2 user configurable inputs for monitoring and control are available.

Options

The panels supports one auxiliary relay board with 8 outputs - 2 standard fitted with relays and 6 open collector outputs with the option to add relays afterwards - and one network board to create a maximum of 32 nodes / 32 loops network of fire panels, fire panel repeaters and black-boxes. Last but not least, in case separate zone indications are required, a 20 or a 40 zone fire/fault LED indicator board can be mounted in the panel or repeater with ample space for custom text.

Approvals & Compliance

- CE / CPD / EN54-2 / EN54-4
- NEN2535 / NBNS21-100 compliant
- BS5839-1 compliant
- VdS and LPCB certified
- WEEE / RoHS compliant

Standard Features

- 1 loop with up to 64 zones and Fire Routing controls
- Up to 40 LED Zone indicators for Fire and Fault with ample text space
- Auto configuration and default regional setup modes
- Ethernet port with TCP/IP for remote maintenance and programming
- EN54 compliant graphical LCD with icons and up to 256 zones
- Jog Dial with 4 soft buttons for simple and intuitive user control
- Aesthetic pleasing design with special paintable synthetic door
- Easy removable door and chassis for quick and clean installation
- All pluggable connectors
- 3 USB ports with memory stick support
- 3 RS232 ports
- Auxiliary 24VDC supply output with reset support
- 3 operator level menu structure
- History log memory for 9999 events
- Up to 72 hours standby time and 30 minutes alarm
- Compatible with the KL700A series detectors with replaceable optical chamber and loop powered sounders and base sounders

Specifications

Mains supply

Voltage	230 / 110 VAC (+10% / -15%)
Frequency	50 / 60 Hz (+5%)
Current	Nom. 0.6 / 1.3 A, Max. 1.5 / 3.15 A
Fuse rating	2 / 4 A
Cable type	3 x 1.5 mm+ (live, neutral, earth)

Batteries	Max. 2 x 12V/18Ah (use supplied cables)
------------------	---

Outputs

Programmable supervised	2, 750mA / 19.5-28VDC (24VDC nominal)
General Fire + Fault supervised	2, 350mA / 19.5-28VDC (24 VDC nominal)
General Fire + Fault relay	2
Aux	1 resetable, 500mA / 19.5-28VDC (24VDC nominal)
Cable type	Recommended 2 core 1.5 mm+ twisted pair
End of Line resistor	15kohm

Inputs

Programmable	2
Cable type	Recommended 2 core 1.5 mm+ twisted pair
End of Line resistor	15kohm
Maximum Load	150 mA

Loops

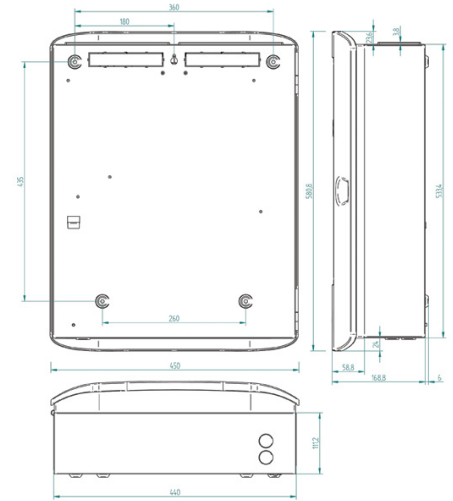
Outputs	1, 250 mA / 29VDC (29VDC to 36VDC)
Cable length	56ohm / 1-F max. 4 km
Cable type	Recommended 2 core 1.5 mm+ twisted pair

Environmental conditions

Storage temperature	-10°C to +50 °C
Operating temperature	-8°C to +42 °C
Relative humidity	max. 95 % (non-condensing)

Mechanical

Size (W x D x H)	449.6 x 169.4 x 580.8 mm
Weight	7.4 kg (without batteries)
Color	RAL9010
Cable entries (Top / Bottom / Back)	18 (20mm) / 2 (20mm) / 2 removable plates
IP rating	IP30: for indoor use only



Ordering Information

Part No.	Description
KFP-AF1-FB-xx	Addressable Fire Panel with User Interface with Fire Brigade Controls - 1 Loop
-xx	Replace by the applicable language code (check with your local GE Security equipment supplier)
KFP-A-ZI-20	Addressable Fire Panel Component - LED indicator - 20 zone
KFP-A-ZI-40	Addressable Fire Panel Component - LED indicator - 40 zone
2010-2-NB	Addressable Fire Panel Accessory - Network Printed Circuit Board
B712	Sealed Lead-Acid Battery - 12V 7Ah
B1212	Sealed Lead-Acid Battery - 12V 12Ah
B1712	Sealed Lead-Acid Battery - 12V 17Ah
2010-2-FTP-C30	Addressable Fire Panel Accessory - Cable FTP CAT5 - 3m
2010-2-USB-C30	Addressable Fire Panel Accessory - Cable USB A to B - 3m

