

FireClass 600 Series Detectors



Product Information

Through innovative design the Series 600 detectors have reduced the installation and servicing time to a minimum, needing only one visit to complete the installation and having a park position for the detector to ease the servicing. The Series 600 includes the unique, heat enhanced Carbon Monoxide CO fire detector, which provides a general purpose fire detector with unprecedented early detection capability and excellent false alarm immunity. The CO fire detectors are the first choice for sleeping risks.

Also included within the range is the intelligent high performance optical smoke (HPO) detector. The use of the patented optical sensing chamber, together with refined signal processing, has enabled the introduction of a smoke detector suitable for fast, reliable smoke detection of both slow and fast developing fires. The HPO can be seen as a truly universal smoke detector, suitable for most applications. Completing the fire detection capabilities of the range is the 600 series point infrared solar blind flame detector which can detect a 0.1m² fire at a range of 15m.

General Features

- CPD and EN54 approved
- Unique early detection enhanced CO fire detector
- Intelligent universal HPO smoke detector
- Low profile, discreet and unobtrusive
- Superior performance and reliability
- Designed for fast, easy installation
- Integral and remote alarm LED
- Series of product approvals

601PH High Performance Optical Detector - A combined smoke and heat detector ideal for general purpose use and replacement of ionisation smoke detectors.

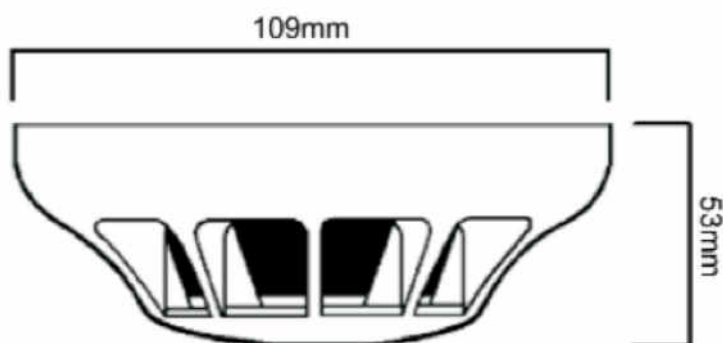
601CH Enhanced Carbon Monoxide Detector - A detector that provides very early warning for slow smouldering fires ideal for "sleeping risks".

601P Optical Smoke Detector
A reliable general purpose smoke detector.

601H-R Heat Detector - Rate of Rise
601H-F Heat Detector - Fixed Temperature
Fixed temperature and rate of rise heat detectors ideal for use where smoke detectors are unsuitable.

601F Solar Blind InfraRed Detector
A unique detector ideal for fast response to flaming fires typically caused by flammable liquids.

A new class of Fire Detection



Environmental & Electrical

Reset Time 2 - 5 seconds.

Relative Humidity 0 - 95% non-condensing.

Wiring Connections SEM Terminal 2 x 1.5 mm².

PRODUCT CODE	TYPE	DESCRIPTION	DETECTOR WEIGHT (KG)	SUPPLY VOLTAGE (dc)	AVERAGE QUIESCENT CURRENT (µA @ 24Vdc)
516.600.001	601P	Optical	0.093	10.5 – 33	65
516.600.002	601PH	High Performance Optical	0.093	10.5 – 33	65
516.600.003	601H-R	Heat Rate of Rise	0.08	10.5 – 33	65
516.600.004	601CH	Enhanced Carbon Monoxide	0.09	10.5 – 33	87
516.600.013	601H-F	Heat Fixed Temperature	0.08	10.5 – 33	61
516.600.006	601F	Infrared Solar Blind	0.074	18-28	300

PRODUCT CODE	TYPE	ALARM CURRENT (mA @ 24VDC)	OPERATING TEMPERATURE (NO CONDENSATION OR ICING)	STORAGE TEMPERATURE (NO CONDENSATION OR ICING)
516.600.001	601P	45	-20 - +70 °C	-25 - +80 °C
516.600.002	601PH	45	-20 - +70 °C	-25 - +80 °C
516.600.003	601H-R	53	-20 - +70 °C	-25 - +80 °C
516.600.004	601CH	53	-10 - +55 °C	-20 - +55 °C
516.600.013	601H-F	53	-20 - +70 °C	-25 - +80 °C
516.600.006	601F	36 @ 18Vdc	-20 - +70 °C	-40 - +80 °C